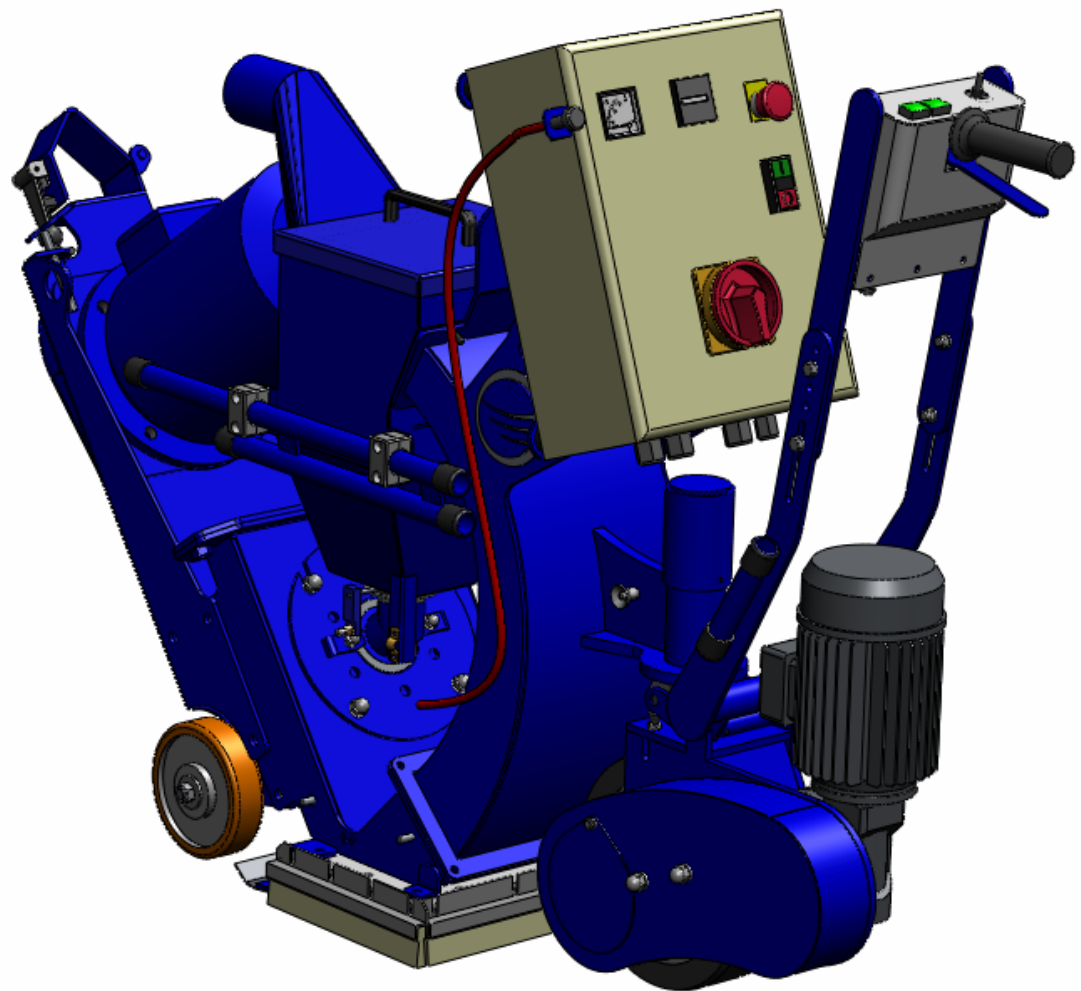




1-10DPS75

Versie 1.0



EC DECLARATION OF CONFORMITY

in accordance with Appendix II sub A of Directive 98/37/EC

BLASTRAC B.V.

Utrechthaven 12
NL - 3433 PN NIEUWEGEIN
Tel: 0031 (0)30 601 88 66
Fax: 0031 (0)30 601 83 33
Info@Blastrac.nl
The Netherlands

Declare under our sole responsibility that the machine as described below
Conforms with the Health and Safety requirements of the European Directive
of the machine Safety.

In case of changes to the machine without our written authorization this declaration loses
its validity.

Model: *BLASTRAC 1-10DPS75* **Serial number:**

1. satisfies the conditions set out in the Machine Directive (Directive 98/37/EC); Low voltage directive (73/23/CEE, as last amended; EMC directive 89/336/CEE, as last amended)
2. satisfies the following harmonized standards:
NEN-EN 349, NEN-EN 418, NEN-EN 294 and NEN-EN 60204

Nieuwegein



Michiel Kalisvaart



Index

1. Spare parts	04
2. Maintenance box	12
3. Electrical diagrams	13
Contact	



1. Spare parts

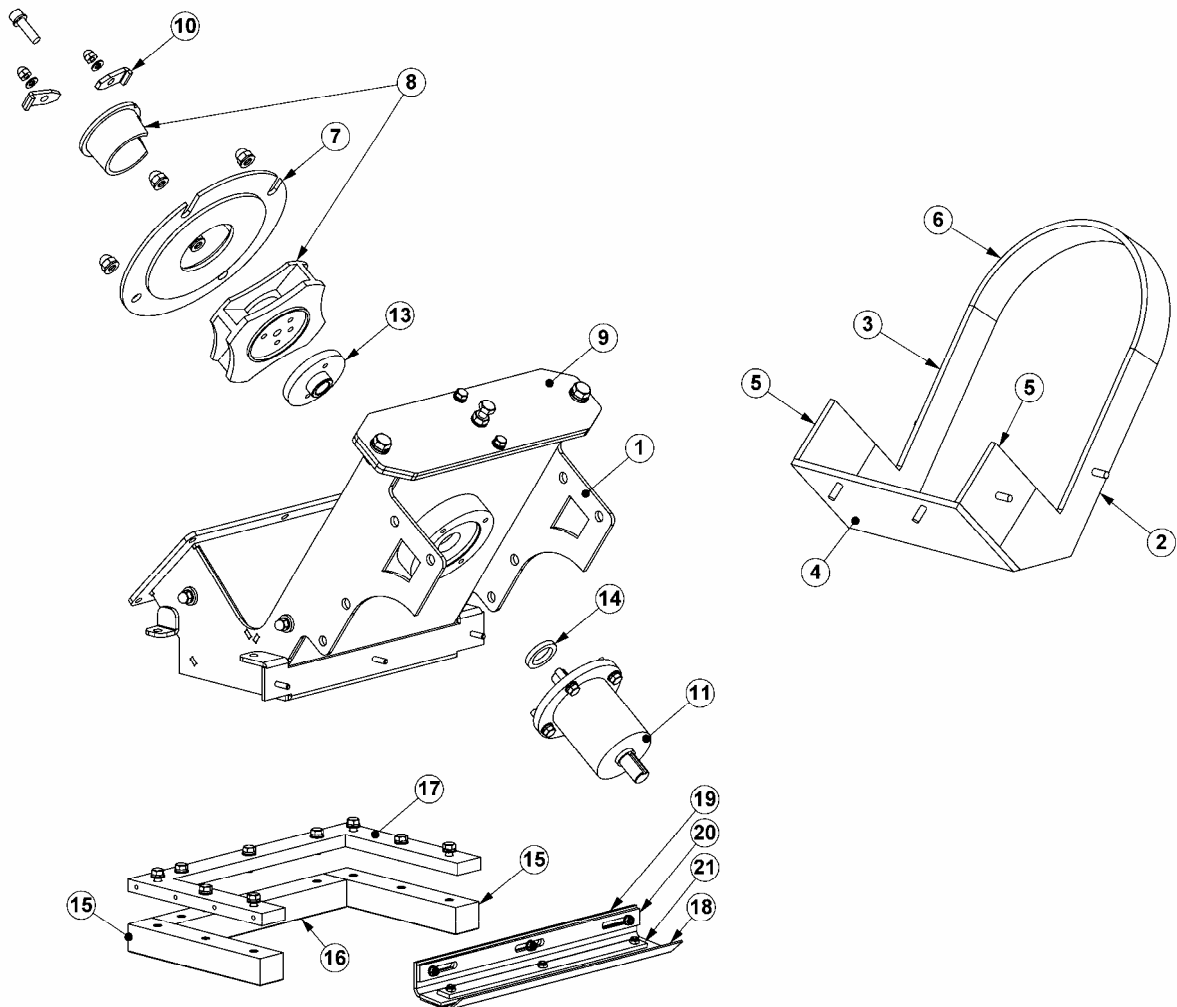


Fig. 01

Fig. 01

Item	Part number	Description	Remarks	Qty.
1	E06114	Blastbody 10"		1
2	E06154	Side liner RH		1
3	E06153	Side liner LH		1
4	E06151	Plenum bottom liner		1
5	E06152	Plenum side liner		2
6	E06155	Top liner		1
7	E06146	Blastwheel cover plate		1
8	B21637K	Tune up kit 6 1/2"		1
9	E06132	Blasthousing cover		1
10	E06148	Cage clamp		2
11	979085	Bearing unit		1
13	976310	Hub		1
14	976317	Felt seal		1
15	966024	Side magnet		2
16	B21107	Front magnet		1
17	E06157	Magnet plate		1
18	B21137	Skid seal		1
19	B21164	Seal for skid		1
20	B21165	Seal retainer rear		1
21	B21168	Skid retainer		1



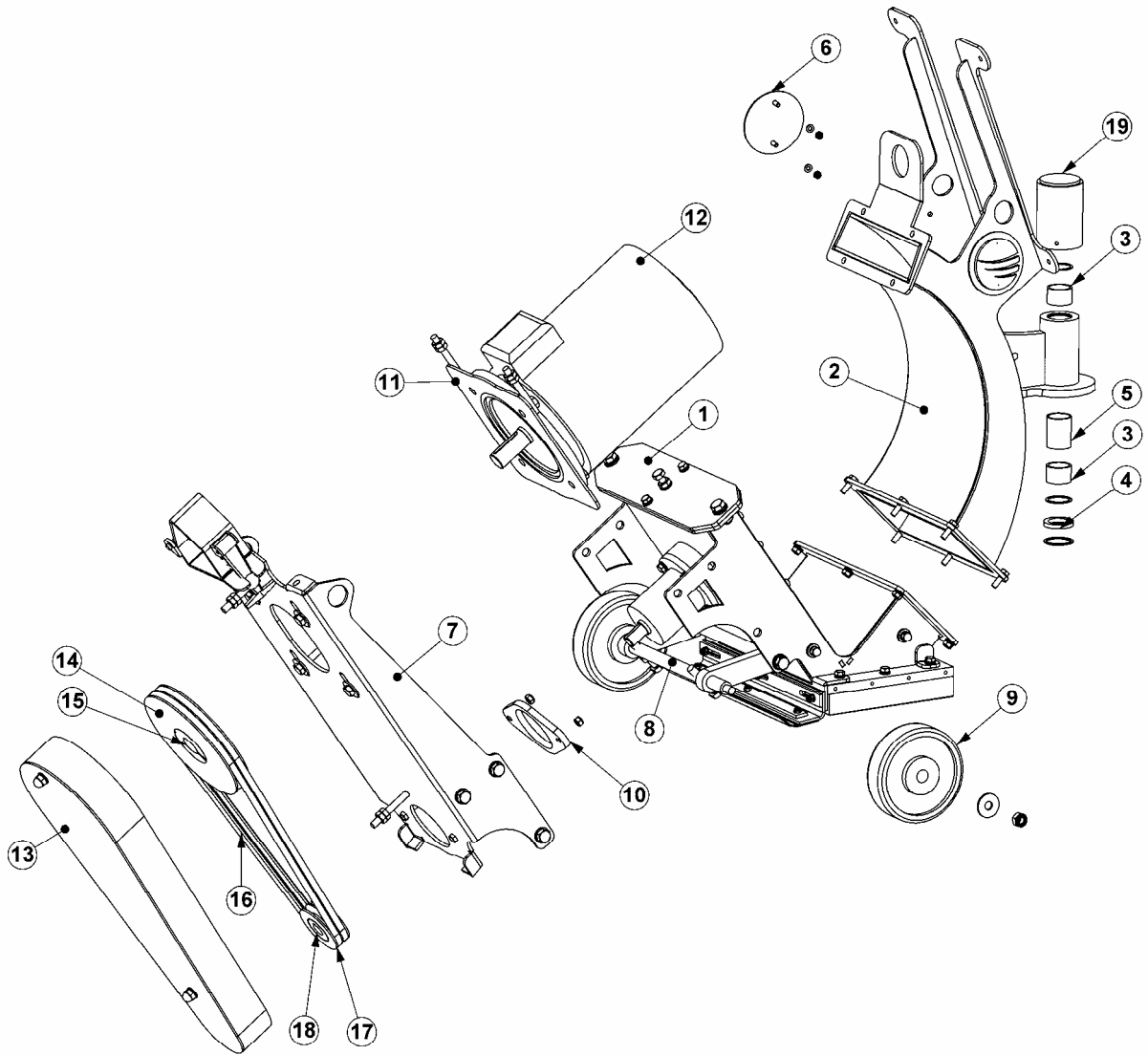


Fig. 02

Fig. 02

Item	Part number	Description	Remarks	Qty.
1	E06132	Blasthousing cover		1
2	E06120	Rebound		1
3	2621-229	Sleeve bearing bush		2
4	E06134	Felt seal		1
5	E06133	Distance bush		1
6	E06150	Blastrac logo Ø100		2
7	E06115	Motor bracket		1
8	E06116	Wheel bracket		1
9	001228	Wheel		2
10	E06117	Dust cover		1
11	E06119	Fill up plate blastmotor		1
12	E06118	7.5 kW Leroy Somer		1
13	E06139	Pulley guard		1
14	E06160	PULLEY		1
15	E10415	Taper lock		1
16	E06131	V-BELT	50 HZ	2
	E06182	V-BELT	60 HZ	2
17	976659	Pulley	50 HZ	1
	E00620	Pulley	60 HZ	1
18	E03518	Taperlock	50 HZ	1
	E00629	Taperlock	60 HZ	1
19	E06198	Dust protection hood		1

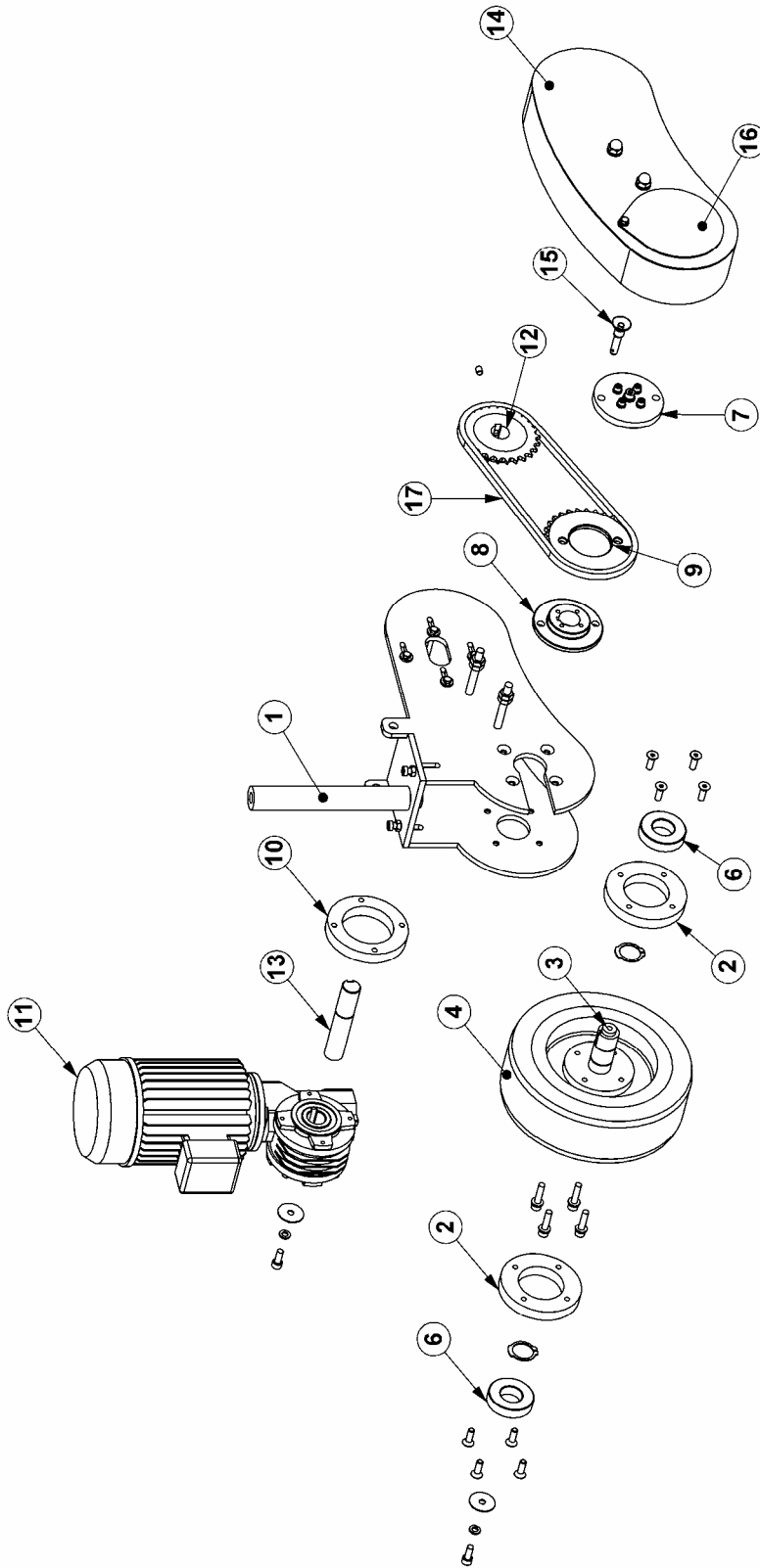


Fig. 03

Fig. 03

Item	Part number	Description	Remarks	Qty.
1	E06122	Drive bracket		1
2	E06123	Bearing flange		2
3	E06125	Traction wheel shaft		1
4	476405	Traction wheel		1
6	B20404	Bearing		2
7	47760	Sprocket retainer		1
8	488557	Hub		1
9	477631	Idler sprocket		1
10	E06126	Distance flange		1
11	E06159	Drive motor		1
12	E06127	Sprocket		1
13	E06128	Drive motor shaft		1
14	E06129	Chain cover		1
15	478198	Quick release pin		1
16	E06130	Chain guard cover		1
17	E00237	Chain		0.8 m
17.1	E00238	Chain link		1



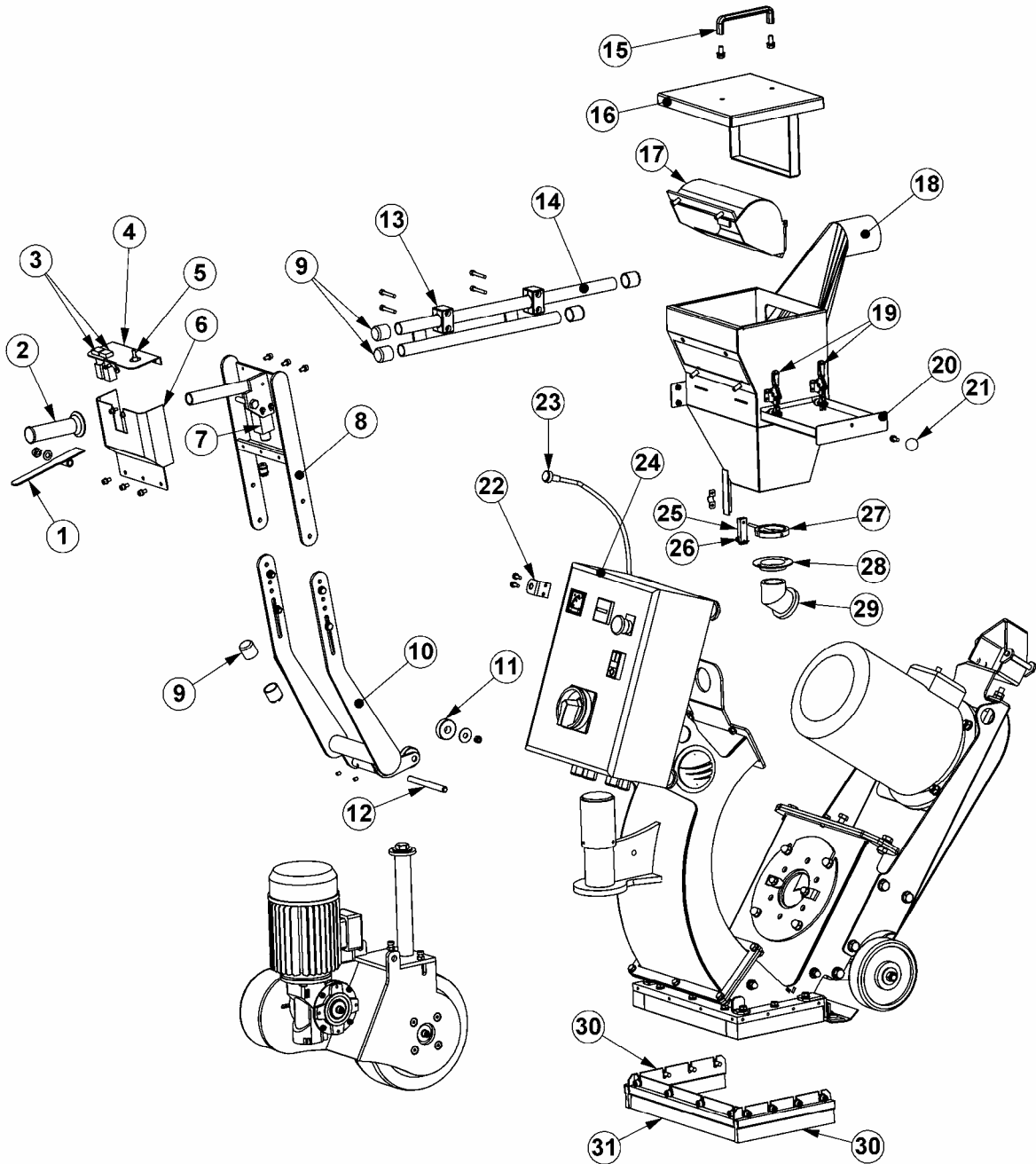


Fig. 04

Fig. 04

Item	Part number	Description	Remarks	Qty.
1	E00743	Switch lever		1
2	433290	Handle grip		1
3	E00867	Switch		2
4	E00741	Control box top plate		1
5	E00866	Potentionmeter complete		1
6	E00740	Control box		1
7	454796	Limit switch		1
8	E06143	Handle top part		1
9	E00368	Cable protection cap Ø25		6
10	E06136	Handle bottom part		1
11	E01304	Bearing		2
12	E06138	Hinge pin		1
13	DG39	Pipe clamp Ø25 (set of 2)		2
14	E06149	Cable guide		1
15	970385	Handle		1
16	E06135	Separator cover		1
17	B21003	Deflector		1
18	E06121	Separator		1
19	001084	Clamp for deparator tray		2
20	E06144	Separator tray		1
21	B21325	Ball head		1
22	E06145	Cable bracket		1
23	975100	Control cable		1
24	E06142	Electrical panel		1
25	959647	Valve lever		1
26	491726	Nipple&Nut		1
27	973322	Magnetic valve		1
28	B21035	Adapter magnetic valve		1
29	967577	Feed spoud		1
30	E06162	Side brush		2
31	E06161	Front brush		1

2. Maintenance box E06361

Qty.	Part number	Description
	E06361	Maintenance box 1-10DPS75
1	001022	Metal box
1	E06153	Side liner LH
1	E06154	Side liner RH
1	E06155	Top liner
2	B21637K	Tune up kit
1	975100	Control cable
2	B21164	Seal for skid
1	B21137	Skid seal
2	E06161	Front brush
4	E06162	Side brush
2	E06182	V-belt
1	001017	Open-end spanner 10/11
1		Open-end spanner 13/17
1	001019	Open-end spanner 17/19
1	001033	Allenkey 3
1	001016	Allenkey 6
1	000151	Hammer
1	000144	Ratchet spanner ½"
1	000146	Socket spanner SW 13mm
1	000147	Socket spanner SW 17mm
1	000148	Socket spanner SW 19mm
1		Socket allen key 8x120
1	001032	Screwdriver 5.5x120
1	001035	Insulated screwdriver 3x100
1	001031	Safety glasses



Blastrac bv
 Utrechthaven 12
 3433 PN Nieuwegein
 Netherlands
 +31(0)30-6018866
 +31(0)30-6018333

Project description 1-10DPS 75 UL
 Drawing number E06142
 Arch. number



Power supply 400V 50Hz
 Input lead -
 Control Voltage 24VAC

Year of Manufacturing 2008

Remarks AS-BUILT

Created on 23-4-2008
 Edit date 8-10-2008

by FJK

Number of pages 11

			Date	28-7-2008	Project name:	1-10DPS 75 UL		Page description:	Title page / cover sheet	Customer:	Blastrac bv	=	
			Ed.	FJK									+
			Appr										
Modification	Date	Name								Drawing number:	E06142	Page	1

WIRE COLOR

Main Voltage 400/230V
 AWG 14 Wiring

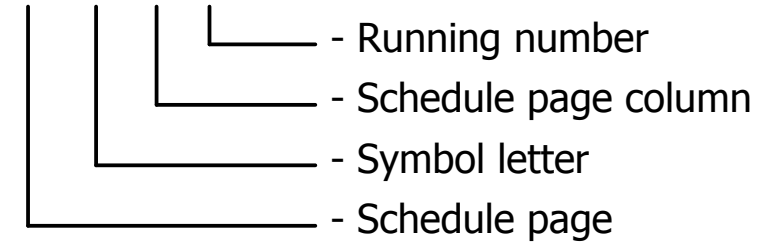
Phase	Colors
L1	- Black
L2	- Black
L3	- Black
N	- Blue
Earth / PE	- Yellow/Green

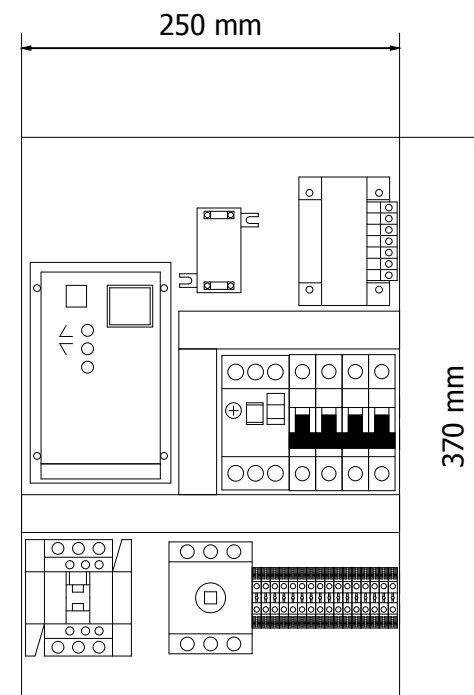
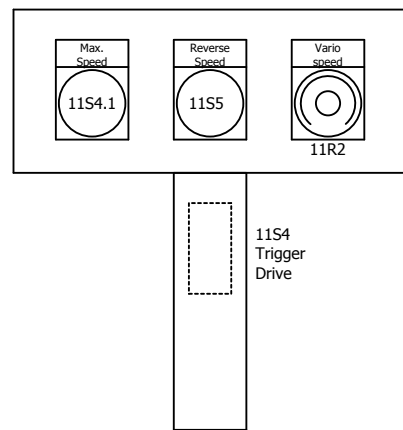
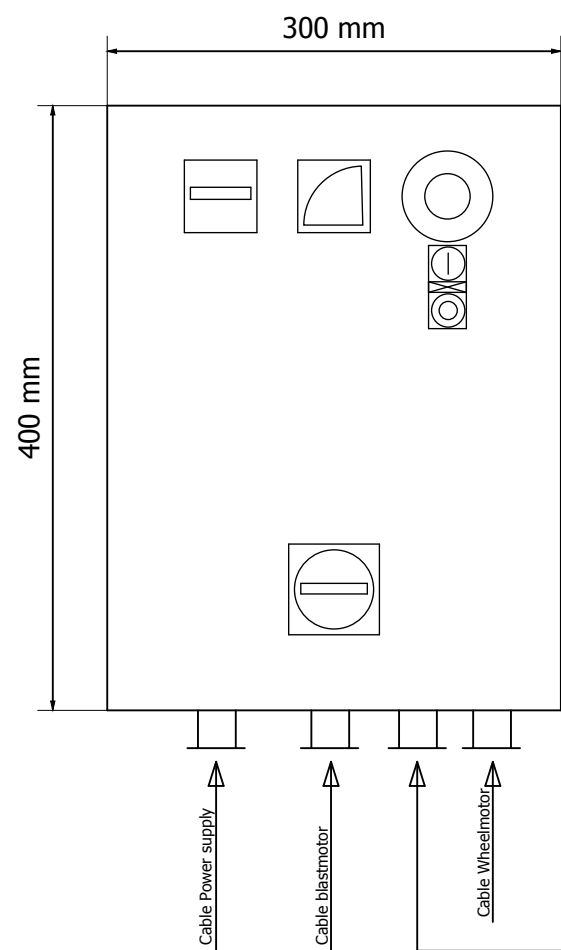
Control Voltage - alternate voltage
 AWG 18 Wiring

Phase (AC)	- White
Neutral (AC)	- White
Potential	- Orange

SYMBOL CODE

11 F 1.1





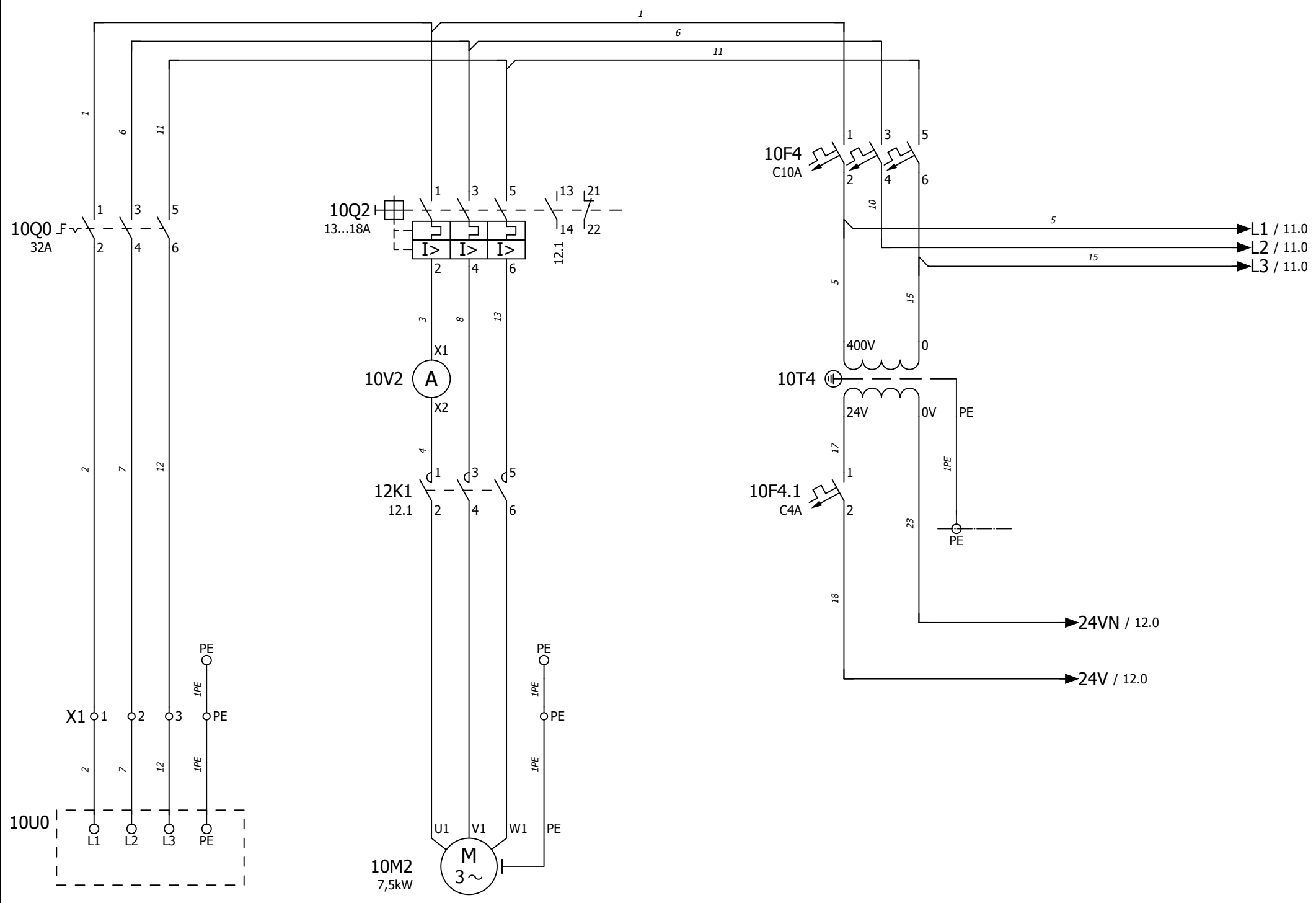
Modification	Date	Name	Date	28-7-2008	Project name:
			Ed.	FJK	1-10DPS 75 UL
			Appr		

1-10DPS 75 UL



Panel layout

Customer:	Blastrac bv	=
Drawing number:	E06142	+
		Page
		5



Power supply
400V 50Hz

Blast motor
7,5kW/15A

Control current

Date	8-10-2008
Ed.	FJK
Appr	
Modification	Date
	Name

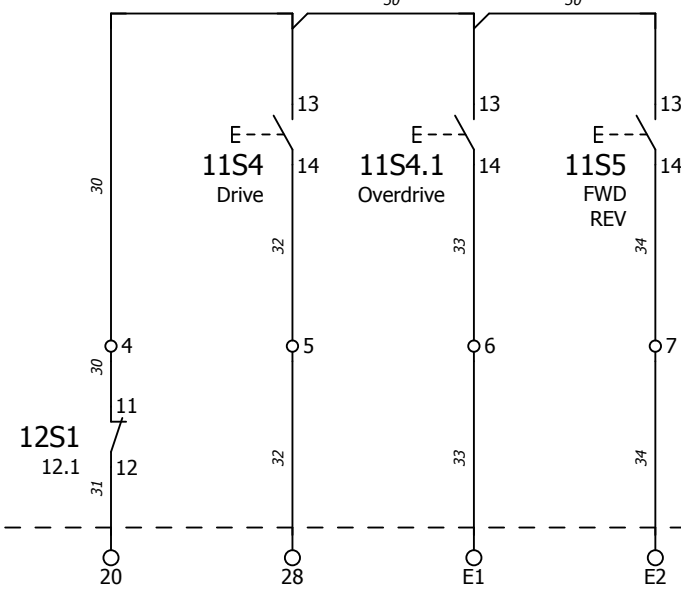
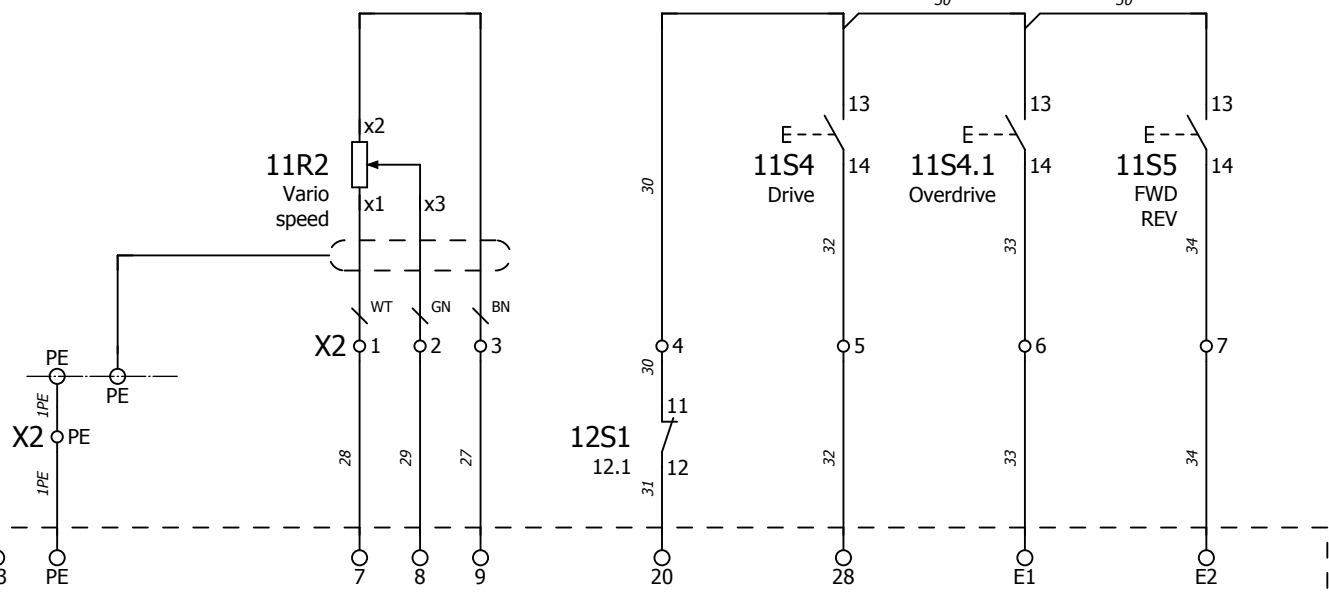
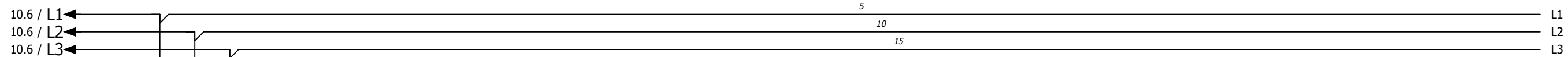
Project name:
1-10DPS 75 UL



Page description:
Main Current

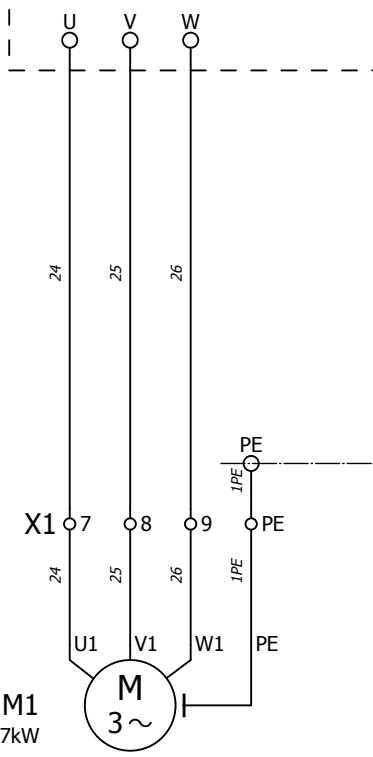
Customer:
Blastrac bv

Drawing number:
E06142



11U1
Lenze
ESMD
371

ENTER CODE:
C37 50HZ



Connect as
STAR 400V

Wheel
motor

Modification	Date	Name

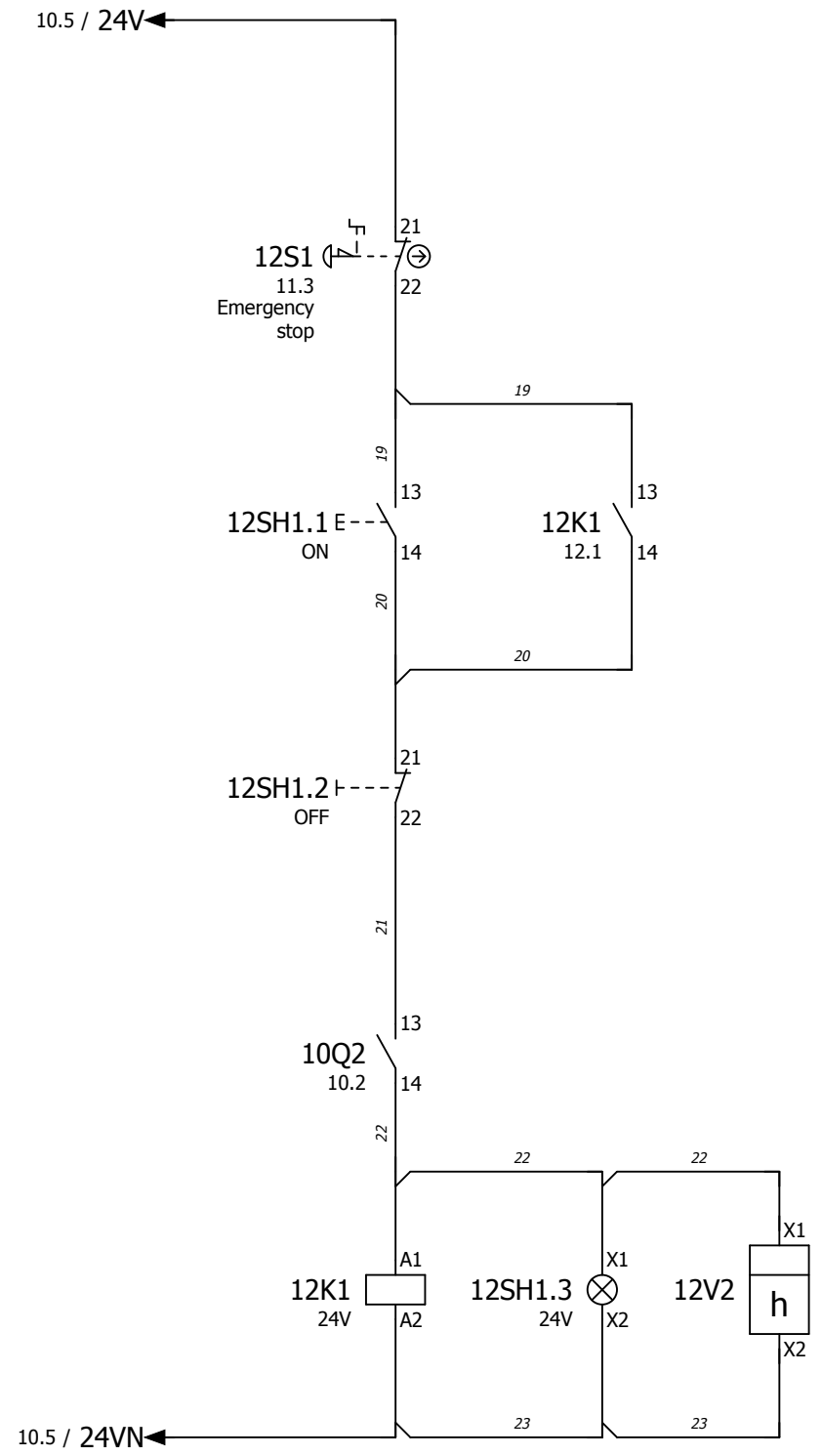
Date	8-10-2008
Ed.	FJK
Appr	
Project name:	1-10DPS 75 UL



Page description:	Main Current
-------------------	--------------

Customer:	Blastrac bv
Drawing number:	E06142

=
+
Page 11



1 2 10.2
 3 4 10.2
 5 6 10.2
 13 14 12.2

Control Voltage ON

Hours Run

Modification	Date	Name
--------------	------	------

Date	28-7-2008
Ed.	FJK
Appr	
Project name:	1-10DPS 75 UL



Page description:	Control Current
-------------------	-----------------

Customer:	Blastrac bv
Drawing number:	E06142

=
+
Page 12



Blastrac bv
 Utrechthaven 12
 3433 PN Nieuwegein
 Netherlands
 +31(0)30-6018866
 +31(0)30-6018333

Project description 1-10DPS 75 3ph. 230V
 Drawing number E06206
 Arch. number



Power supply 3ph.230V 60Hz
 Input lead -
 Control Voltage 24VAC

Year of Manufacturing 2008

Remarks AS-BUILT

Created on 23-4-2008
 Edit date 17-12-2008

by FJK

Number of pages 10

			Date	28-7-2008	Project name: 1-10DPS 75 3ph. 230V		Page description: Title page / cover sheet	Customer:	Blastrac bv	=	
			Ed.	FJK							+
			Appr							Drawing number:	E06206
Modification	Date	Name									

WIRE COLOR

Main Voltage 400/230V

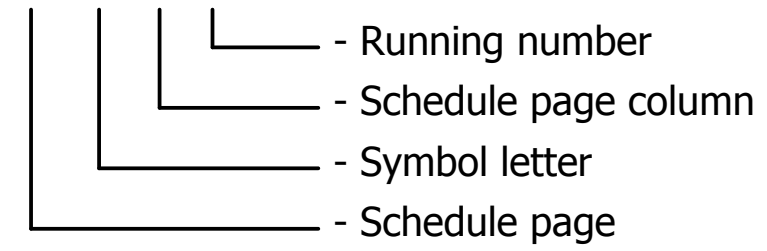
<u>Phase</u>	<u>Colors</u>
L1	- Black 2,5mm ²
L2	- Black 2,5mm ²
L3	- Black 2,5mm ²
N	- Blue 2,5mm ²
Earth / PE	- Yellow/Green 2,5mm ²

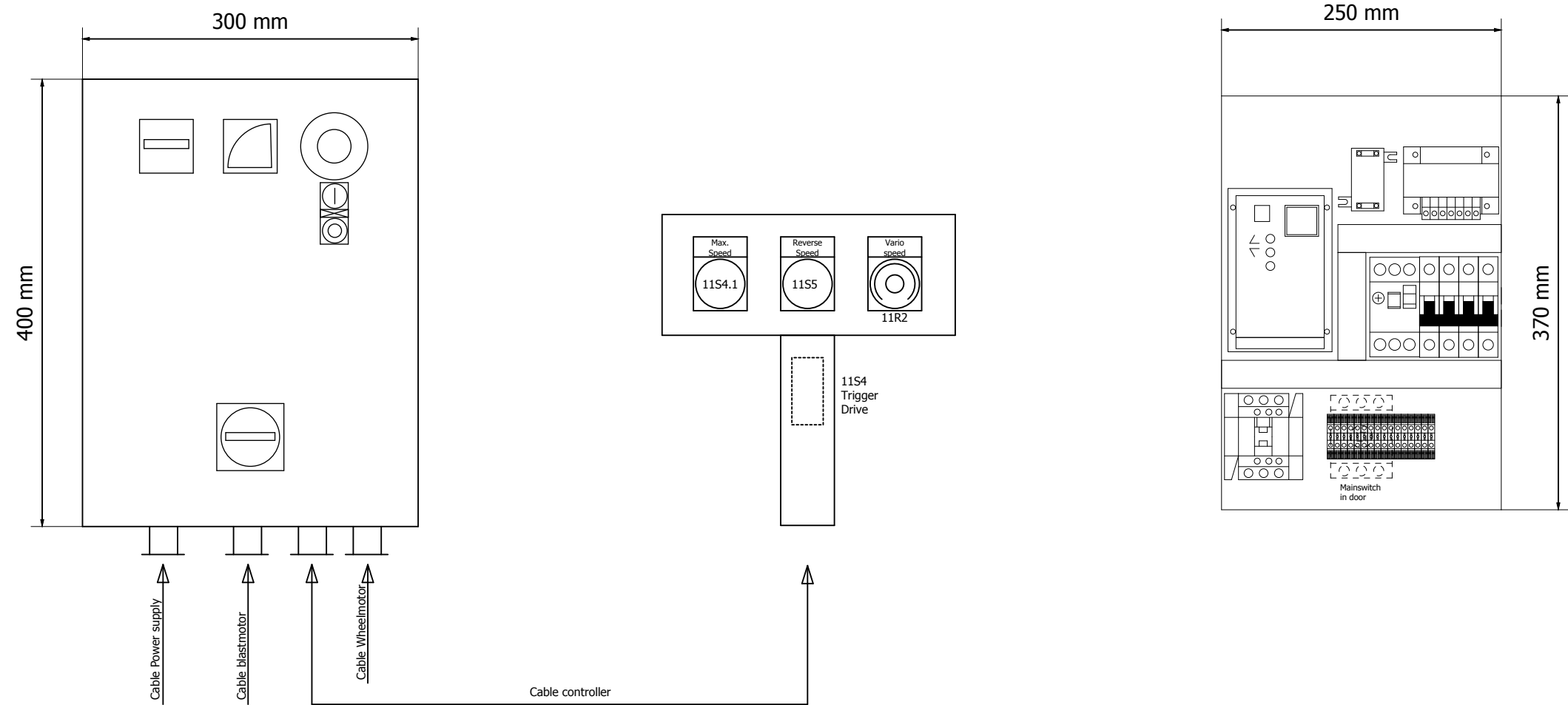
Control Voltage

Phase (AC)	- White 1mm ²
Neutral (AC)	- White 1mm ²
Potential	- Orange 1mm ²

SYMBOL CODE

11 F 1.1





Modification	Date	Name

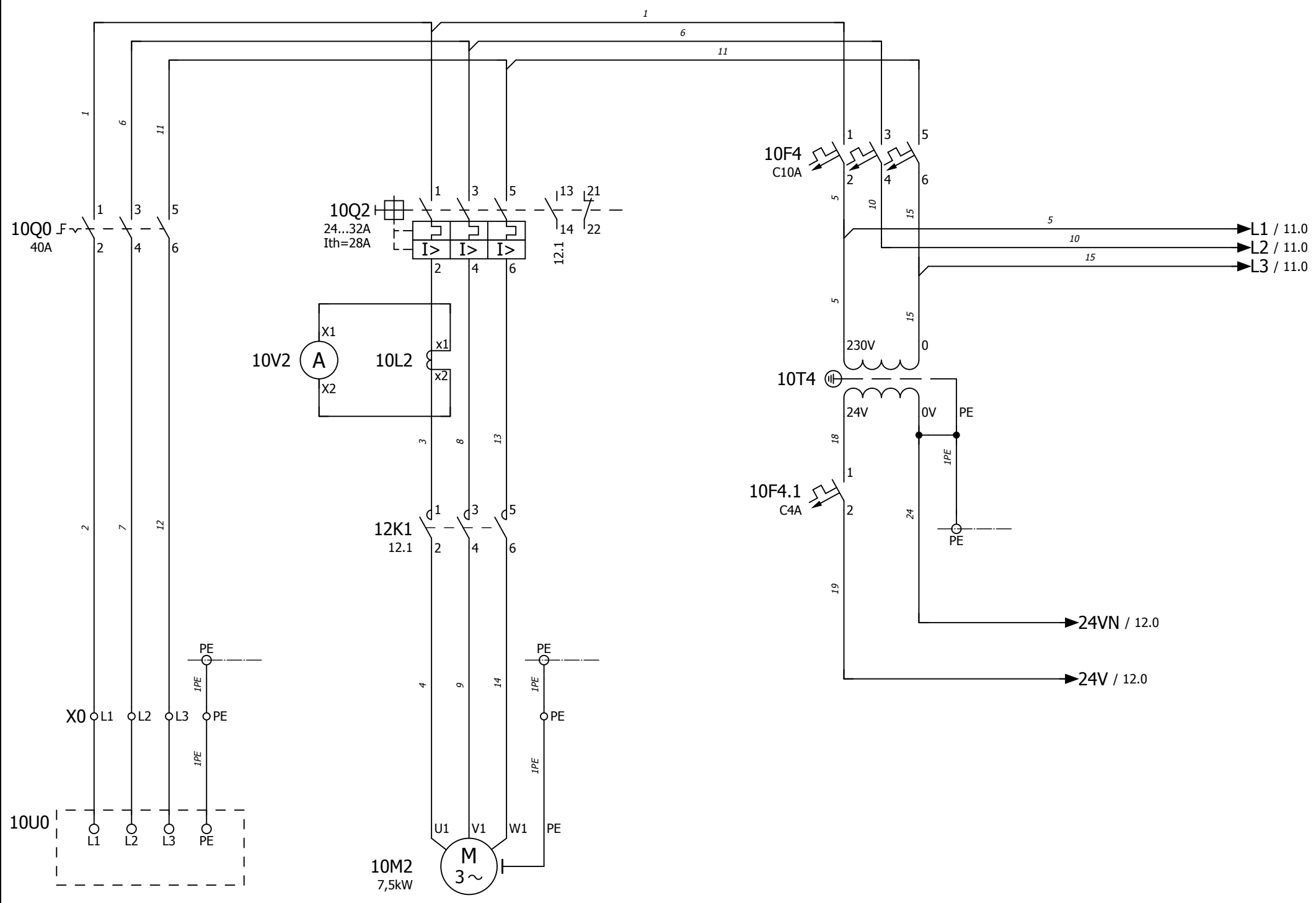
Date	9-12-2008
Ed.	FJK
Appr	
Project name:	1-10DPS 75 3ph. 230V



Page description:	Panel layout
-------------------	--------------

Customer:	Blastrac bv
Drawing number:	E06206

=
+
Page
5



Power supply
230V 60Hz

Blast motor
7,5kW/28A

Control current

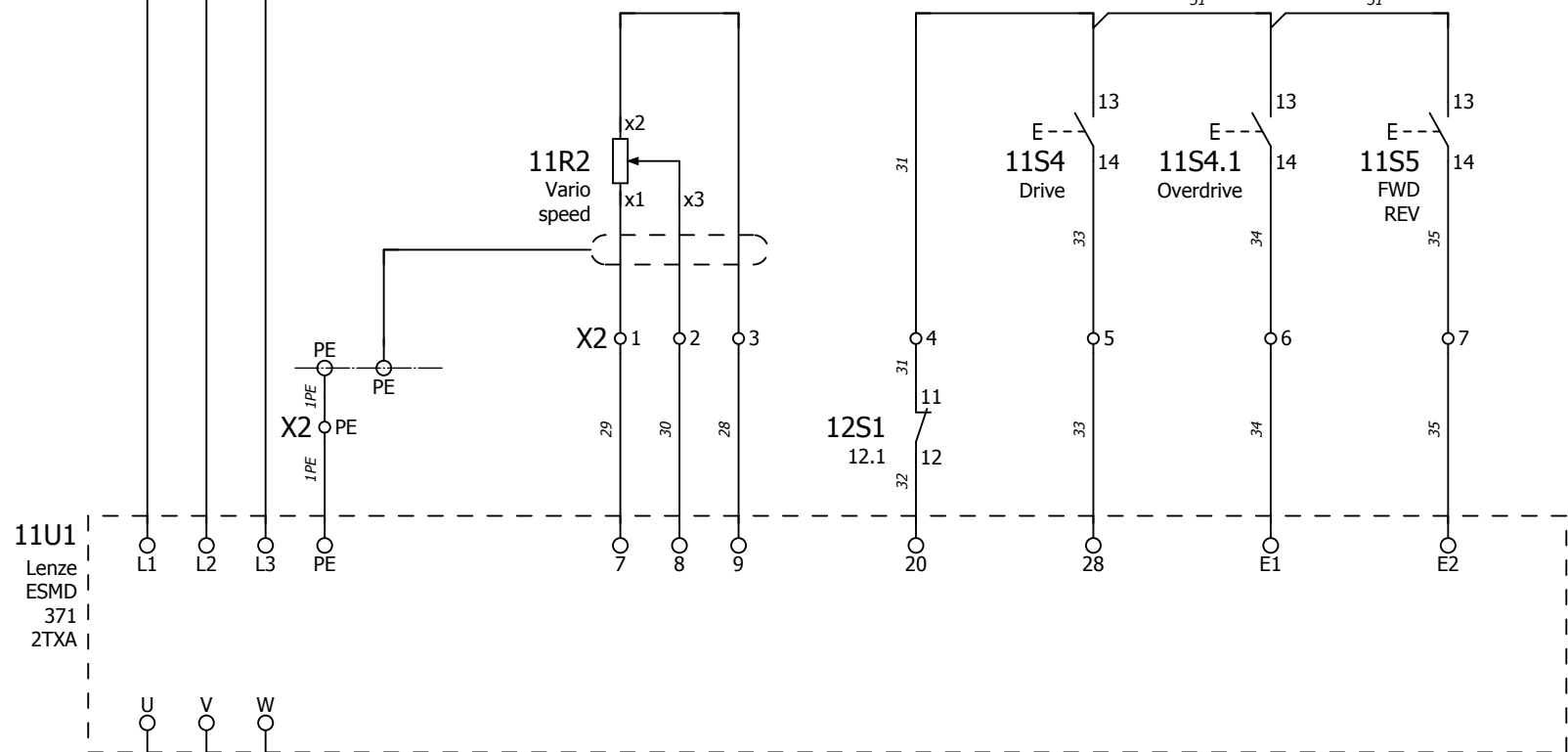
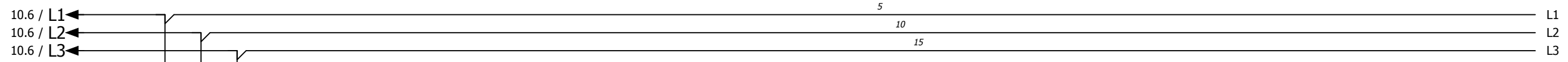
Date	28-11-2008
Ed.	FJK
Appr	
Modification	Date
	Name

Project name:
1-10DPS 75 3ph. 230V

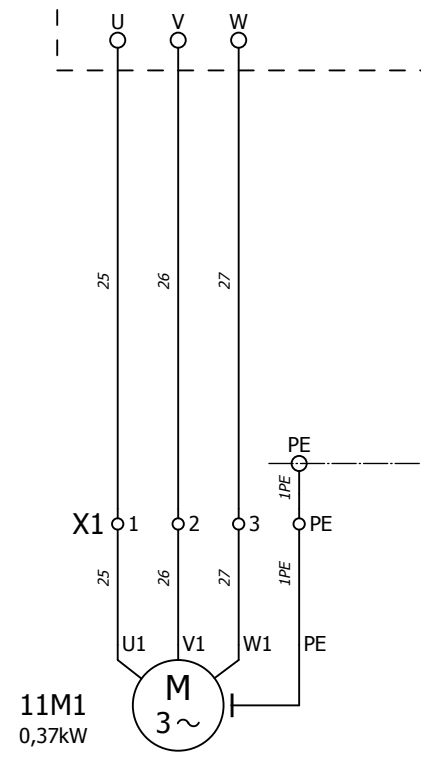


Page description:
Main Current

Customer: **Blastrac bv**
Drawing number: **E06206**



ENTER CODE:
C37 50HZ



Connect as
DELTA 230V

Wheel
motor

Modification	Date	Name

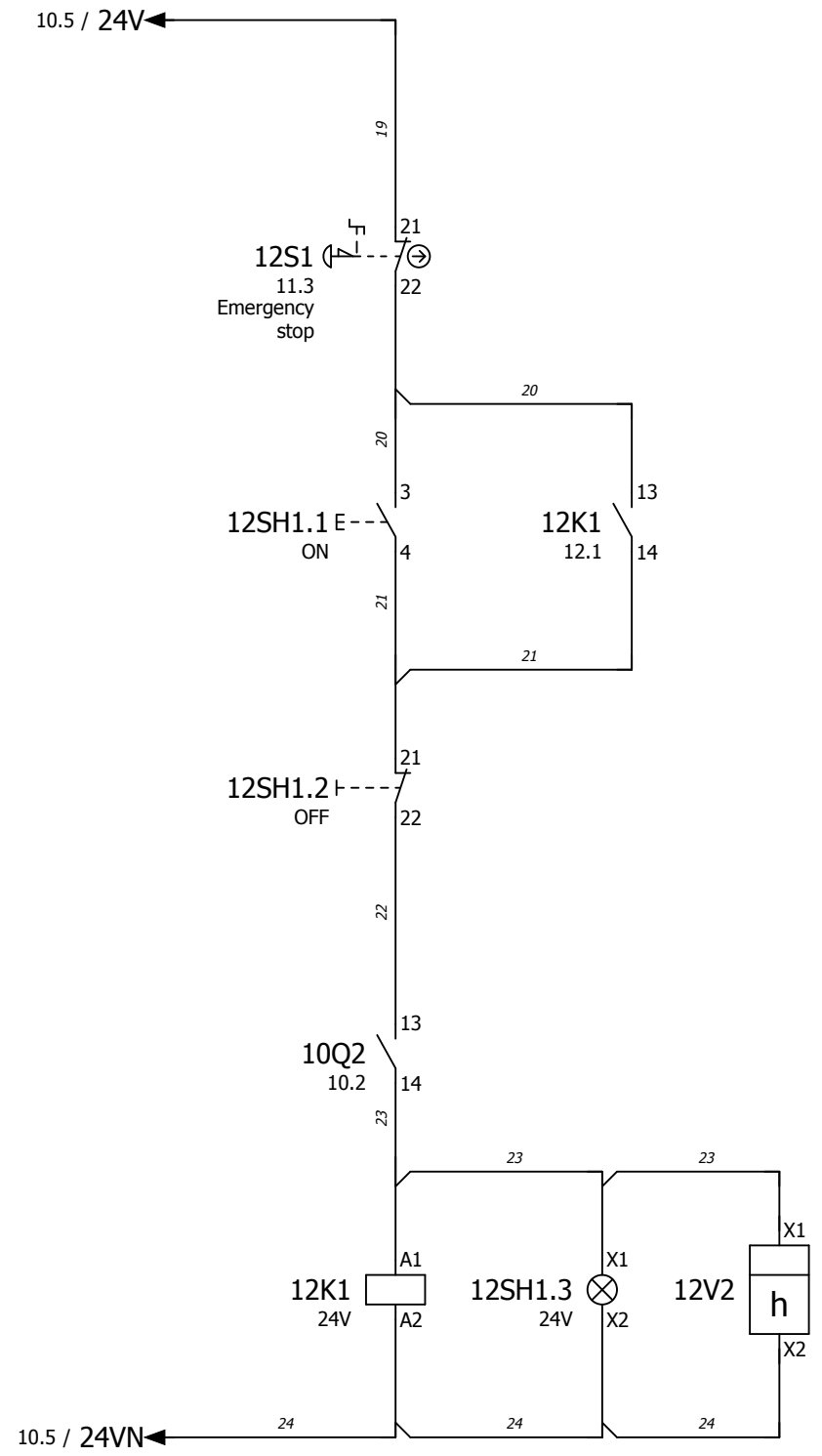
Date	17-12-2008
Ed.	FJK
Appr	
Project name:	1-10DPS 75 3ph. 230V



Page description:	Main Current
-------------------	--------------

Customer:	Blastrac bv
Drawing number:	E06206

=
+
Page 11



1 2 10.2
 3 4 10.2
 5 6 10.2
 13 14 12.2

Control Voltage ON

Hours Run

Modification	Date	Name	Date	9-12-2008	Project name:	1-10DPS 75 3ph. 230V
			Ed.	FJK		
			Appr			

Page description: **BLASTRAC** Control Current

Customer:	Blastrac bv	=
Drawing number:	E06206	+
		Page 12

Headquarter

*Blastrac BV The Netherlands
Utrechthaven 12
NL - 3433 PN Nieuwegein
Tel: 0031 (0)30 601 88 66
Fax: 0031 (0)30 601 83 33
info@blastrac.nl*

*Blastrac United Kingdom
Unit 2, Outgang Lane, Dinnington
Sheffield, South Yorkshire
GB – S25 3QU, England
Tel: 0044 (0) 1909 569 118
Fax: 0044 (0) 1909 567 570
info@blastrac.co.uk*

*Blastrac France
ZI
29, Avenue des Temps Modernes
F – 86360 Chasseneuil du Poitou
Tel: 0033 (0)5 49 00 49 20
Fax: 0033 (0)5 49 00 49 21
info@blastrac.fr*

*Blastrac Spain
Calle Copernico, 16
Nave 2
E – 28820 Coslada
Tel: 0034 91 660 10 65
Fax: 0034 91 672 72 11
info@blastrac.com.es*

*Blastrac Germany
Mathias Brüggem Straße 144
D – 50829 Köln (Ossendorf)
Tel: 0049 (0) 221 70 90 32 0
Fax: 0049 (0) 221 70 90 32 22
info@blastrac.de*

*Blastrac Poland
Golina, Dworcowa 47a
63-200 Jarocin
Tel: 0048 62 740 40 27
Fax: 0048 62 740 40 27
info@blastrac.pl*

